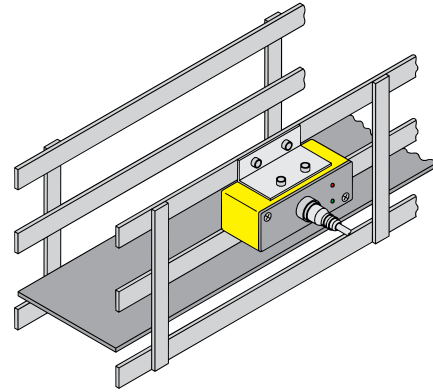
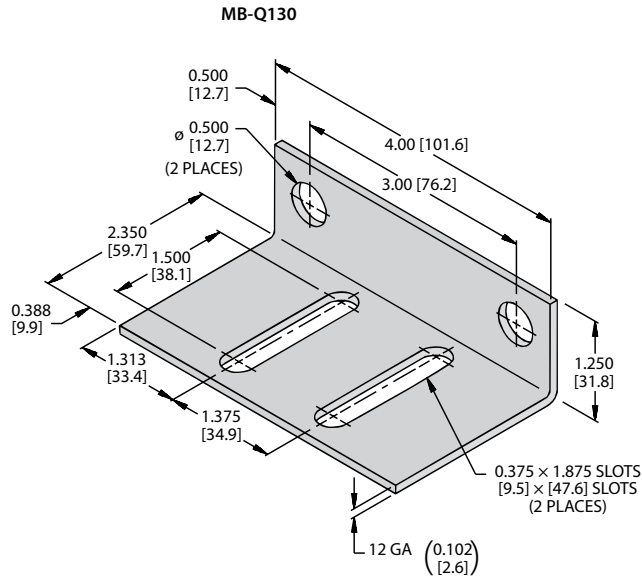


Accessories

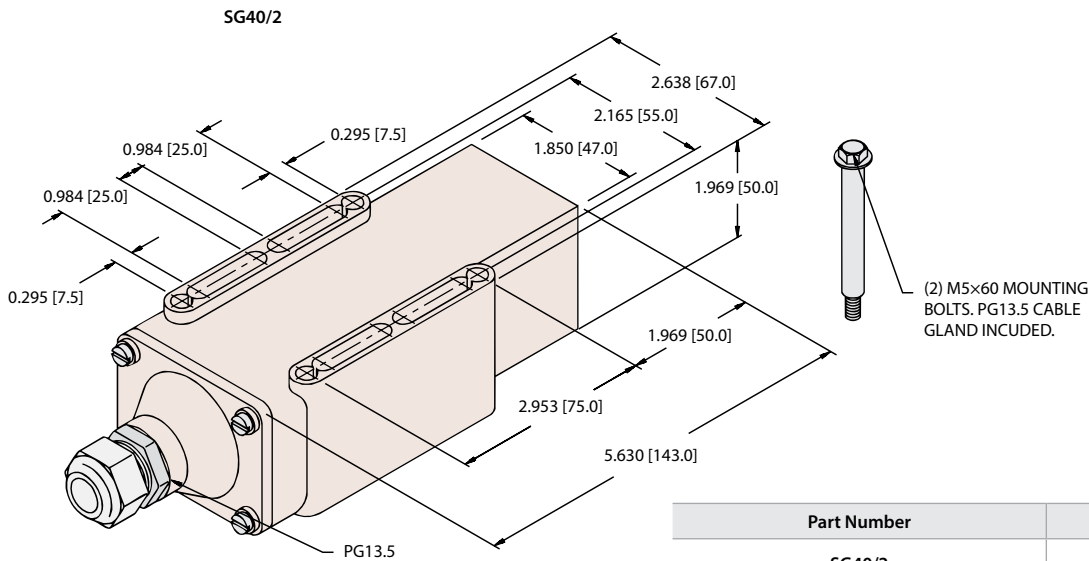
Mounting Brackets



Part Number	ID Number
MB-Q130	A3145

Inches [mm]
 Material: Stainless steel
 *For use with Q130 sensors

Protective Housing "Wet Suit"



Part Number	ID Number
SG40/2	69497

Inches [mm]
 Material: Plastic, Ultem
 *Recommended cable diameters: 5 - 12 mm.
 For use with CP40 sensors. For extreme protection class IP68 temperatures from -30 to 170 °C (338°F), and long term submersion up to 5 meters. Especially resistant to UV-radiation and ozone.

We reserve the right to make technical alterations without prior notice.

